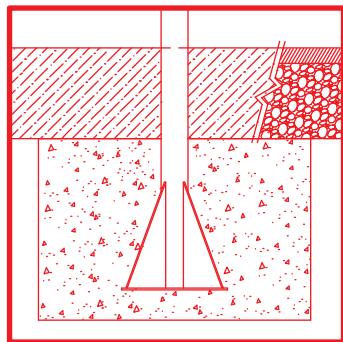
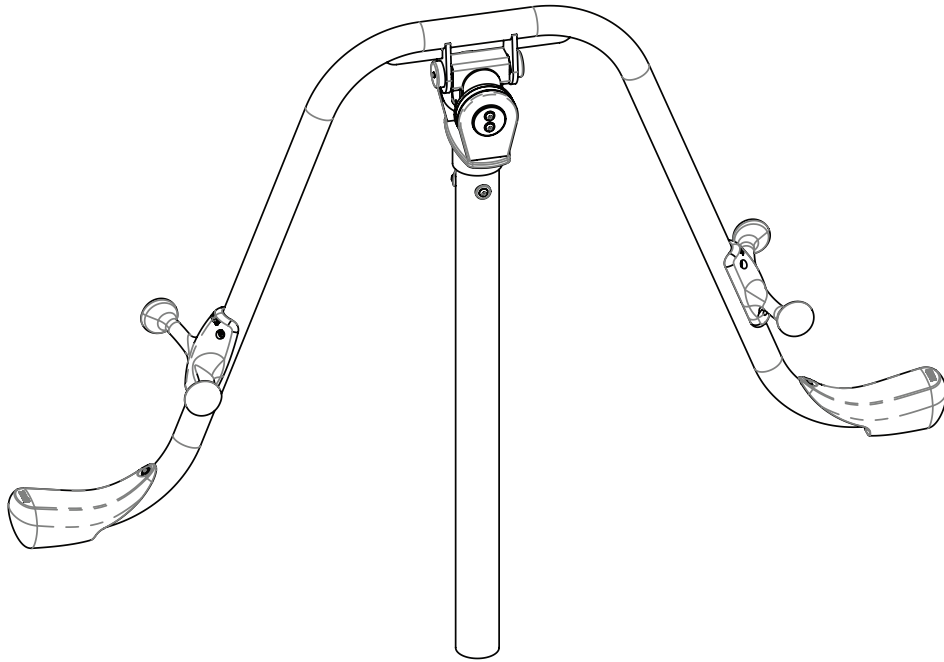


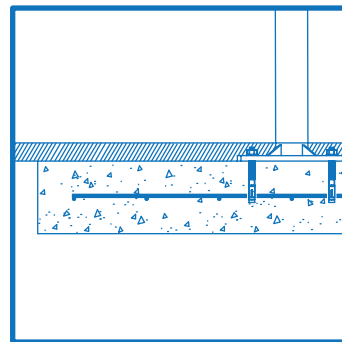
HAGS[®]

Installation Instructions

SWINGO

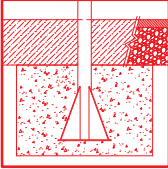
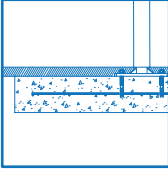
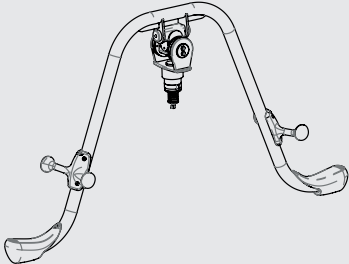
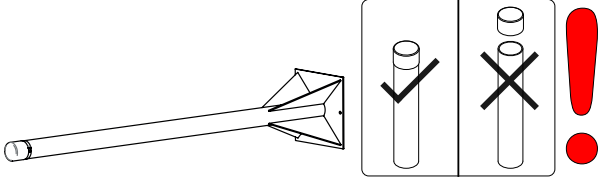
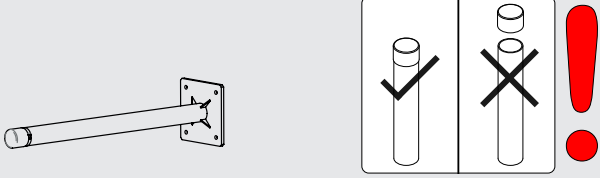

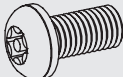

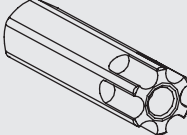
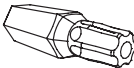


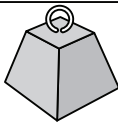
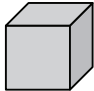
H8057040
H8057071
H8058120




H8057041
H8057072
H8058121

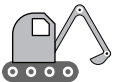
© Playpower Inc
E-post:hags@hags.com
www.hags.com

ITEM	REF	PART	 H8057040 H8057071 H8058120	 H8057041 H8057072 H8058121	Kg
1	71501003		1	1	47.00
2	71501005		1		32.00
3	71501012			1	24.00
4	38001019	 M10	3	3	0.02
5	10121020	 M10 x 20	3	3	0.02
6	8008560	 M16 x 145		4	0.24
7	10121000	 TX45 - M10	1	1	-
8	10120600	 TX30-M6	1	1	-

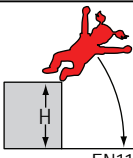
 kg	 LxWxH (m)
H8057040= 79	1.98 x 0.38 x 1.49
H8057041= 71	1.98 x 0.38 x 1.49
H8057071= 79	1.98 x 0.38 x 1.49
H8057072= 71	1.98 x 0.38 x 1.49
H8058120= 79	1.98 x 0.38 x 1.49
H8058121= 71	1.98 x 0.38 x 1.49




m³
0.5



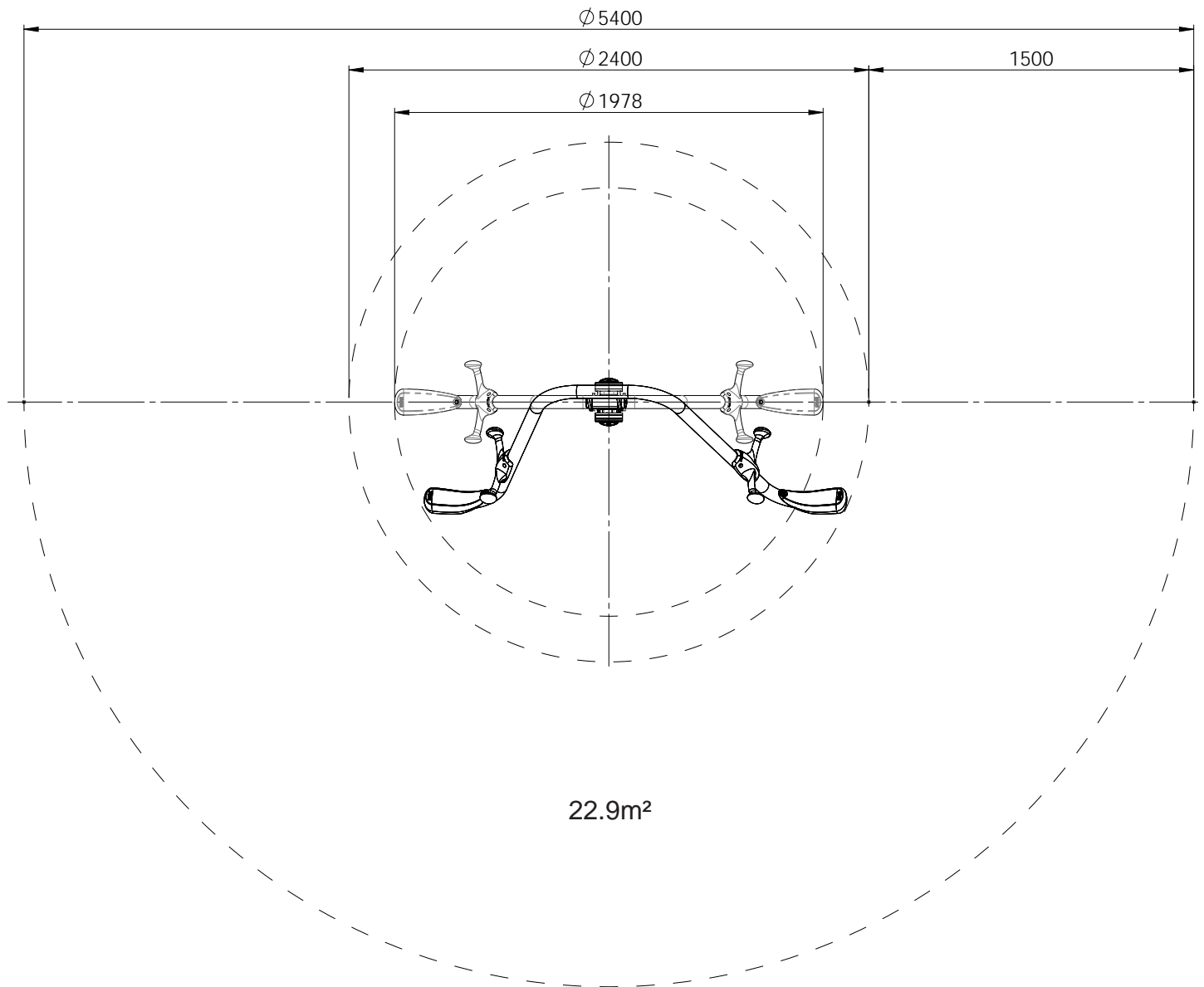
m²
6 x 6

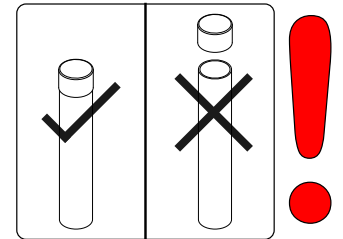
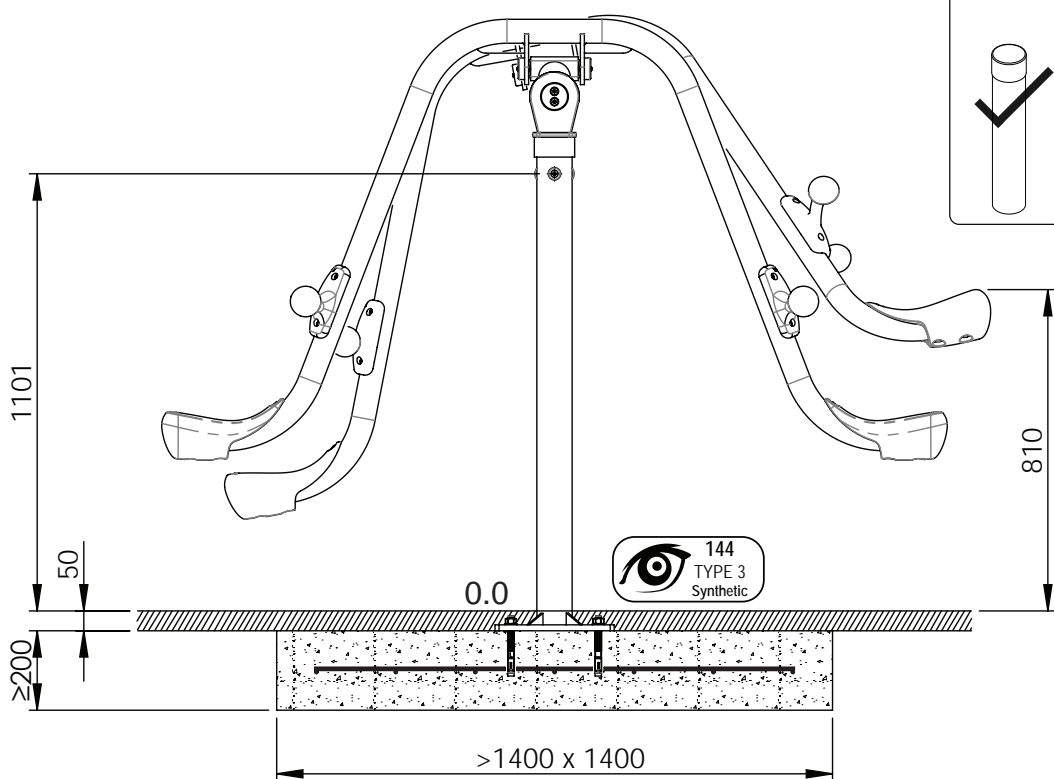
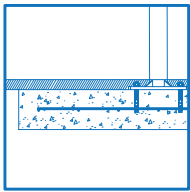
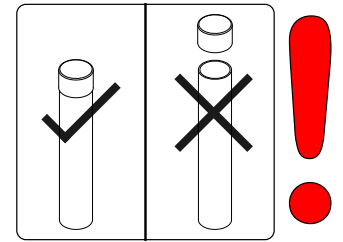
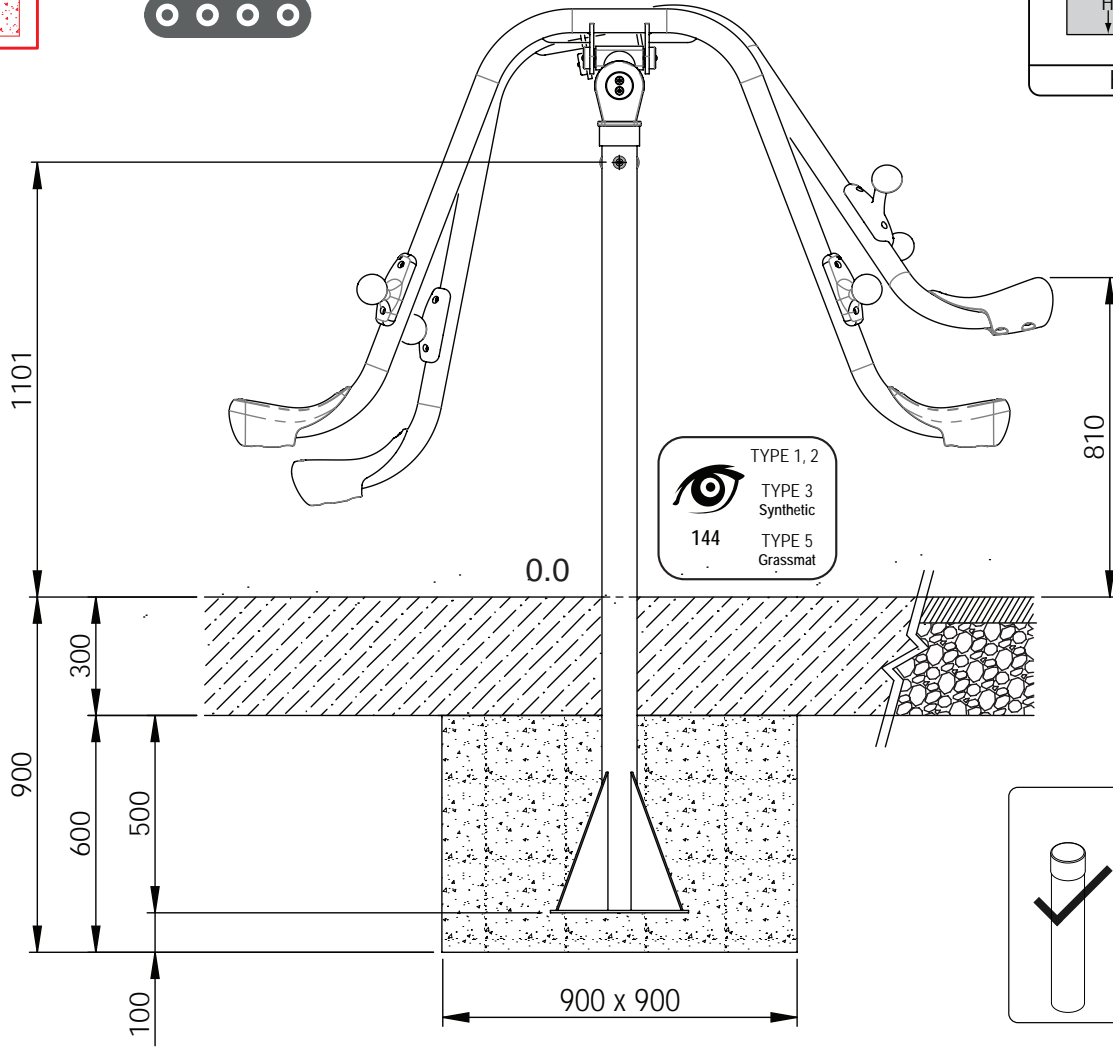
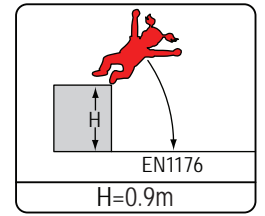
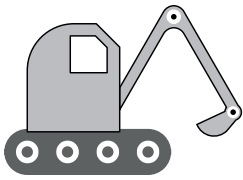
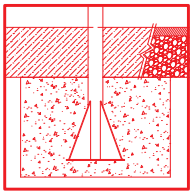


EN1176
H=0.9m

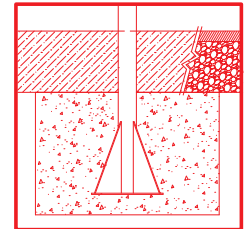
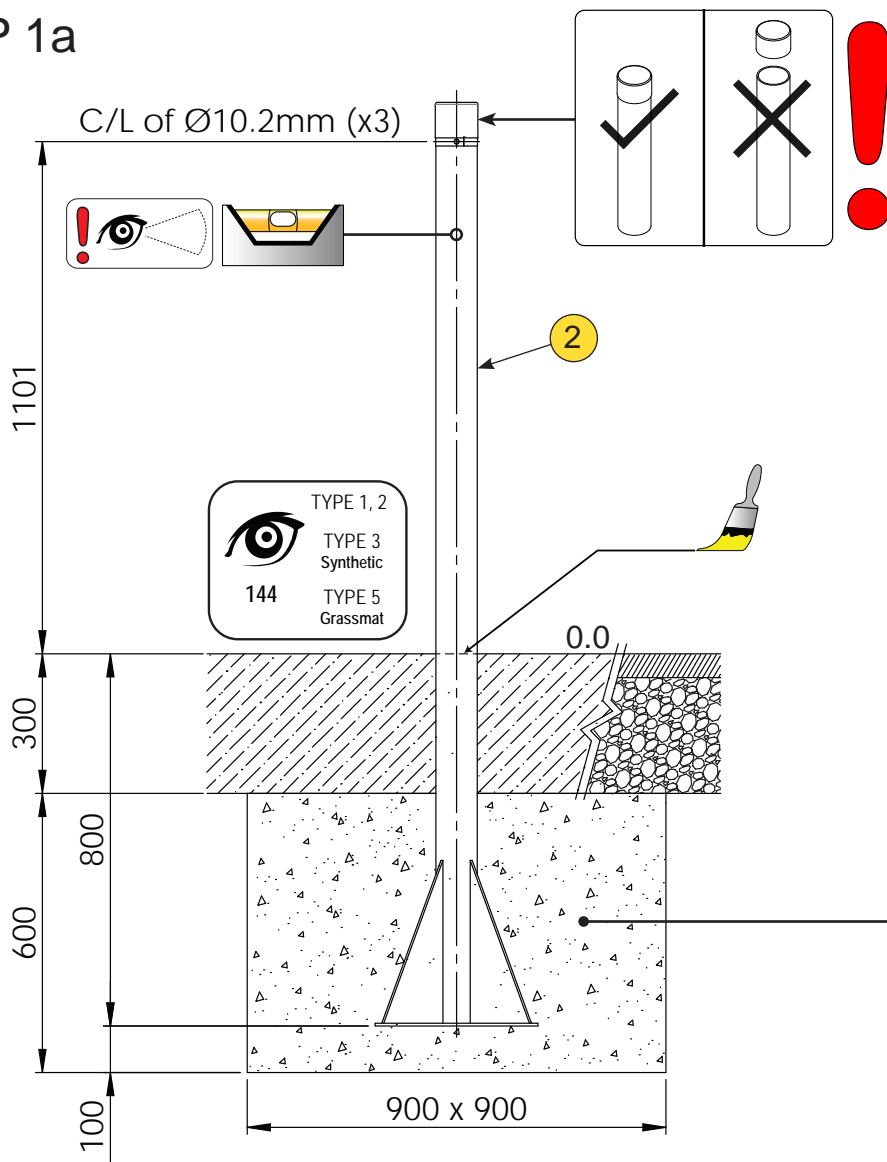


X 2=T
T = 5hr



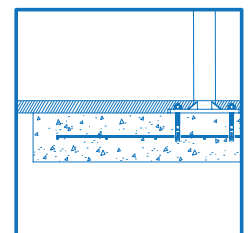
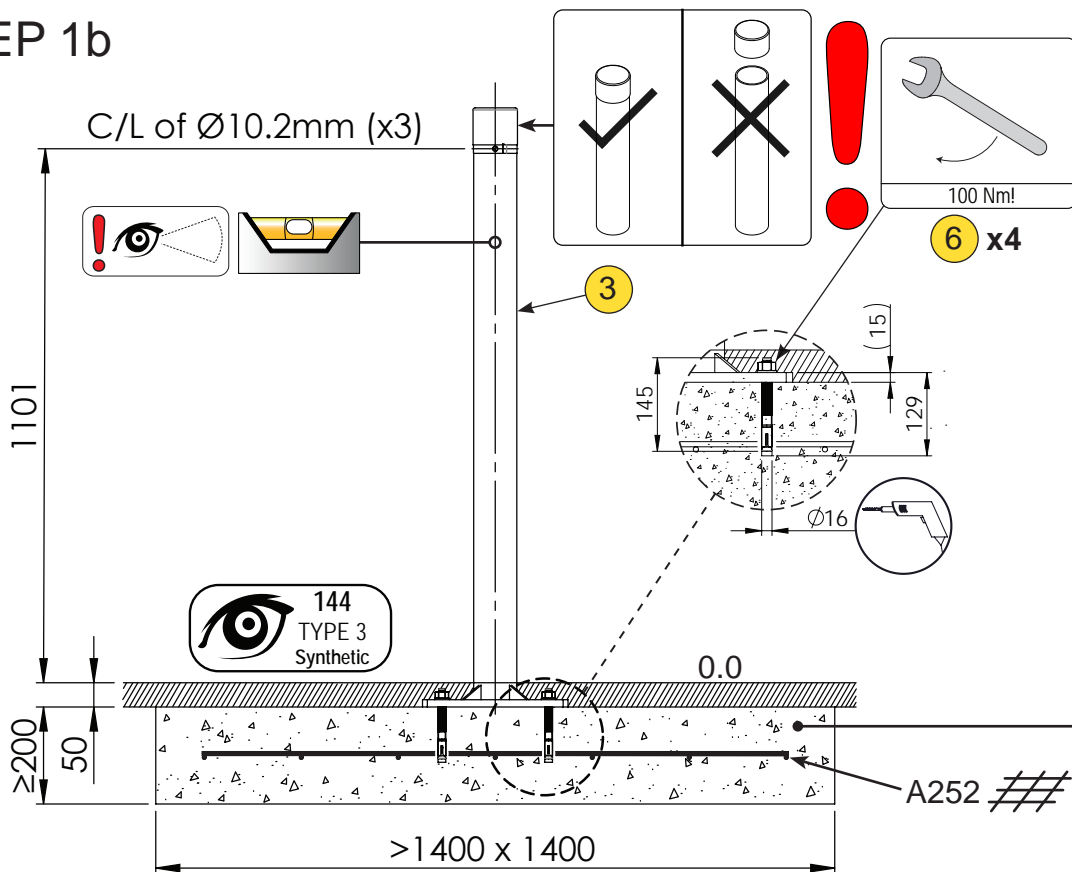


STEP 1a



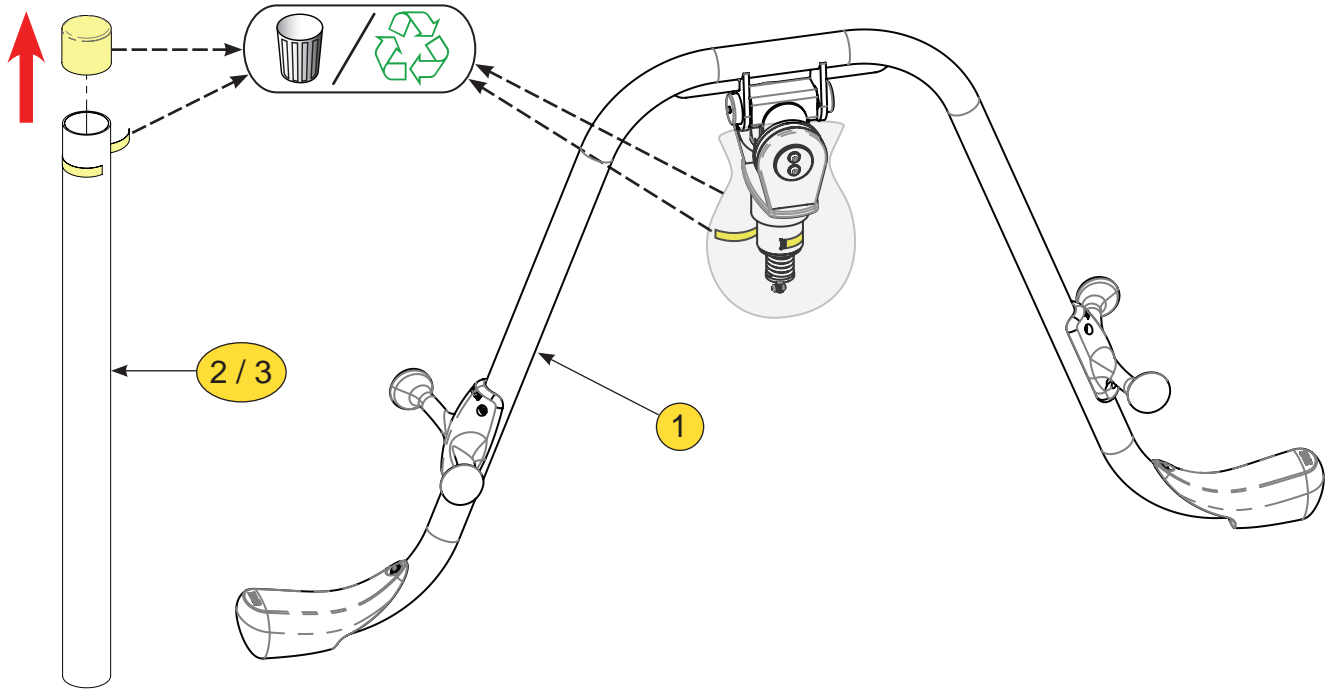
S2 (50mm) ≥C20-25
7 x 24h
101

STEP 1b

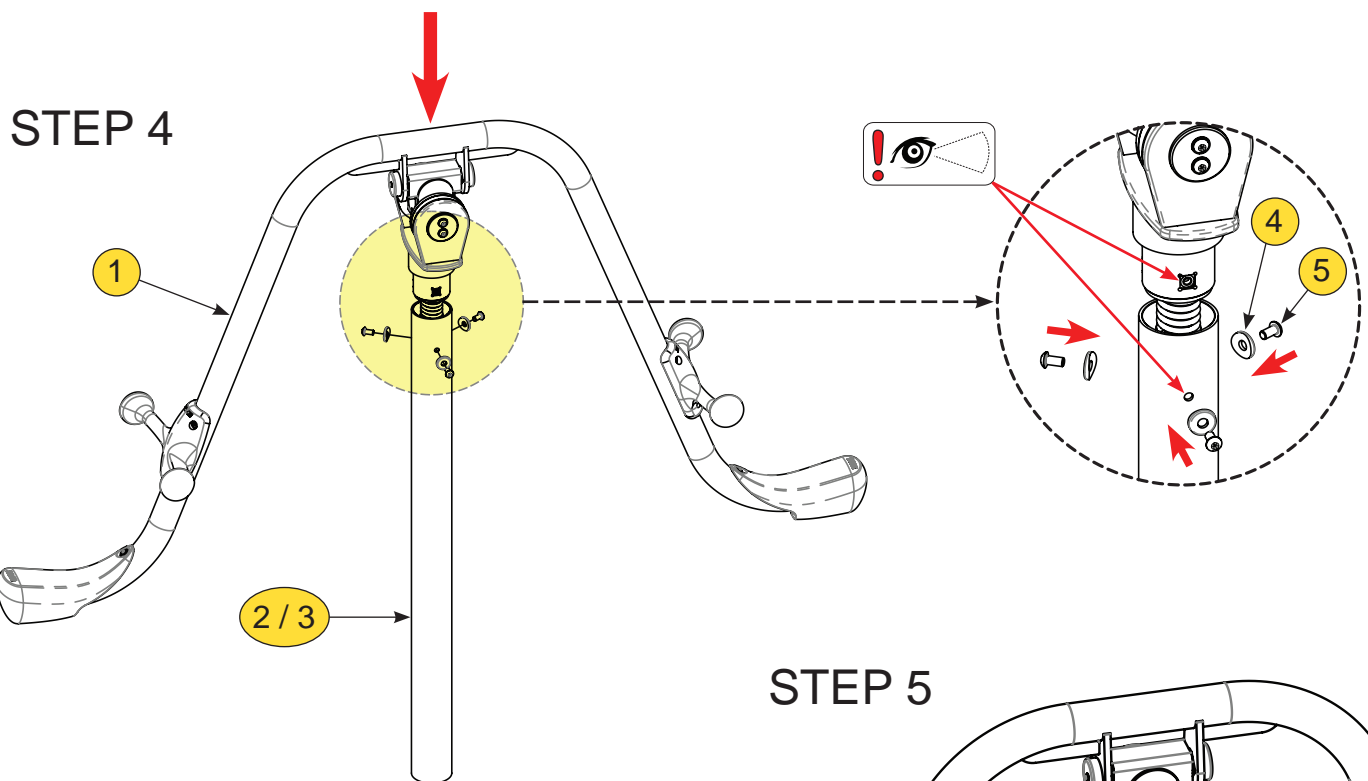


>C20/25 S1 - S3
2 x 24h
101

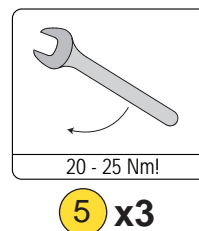
STEP 2



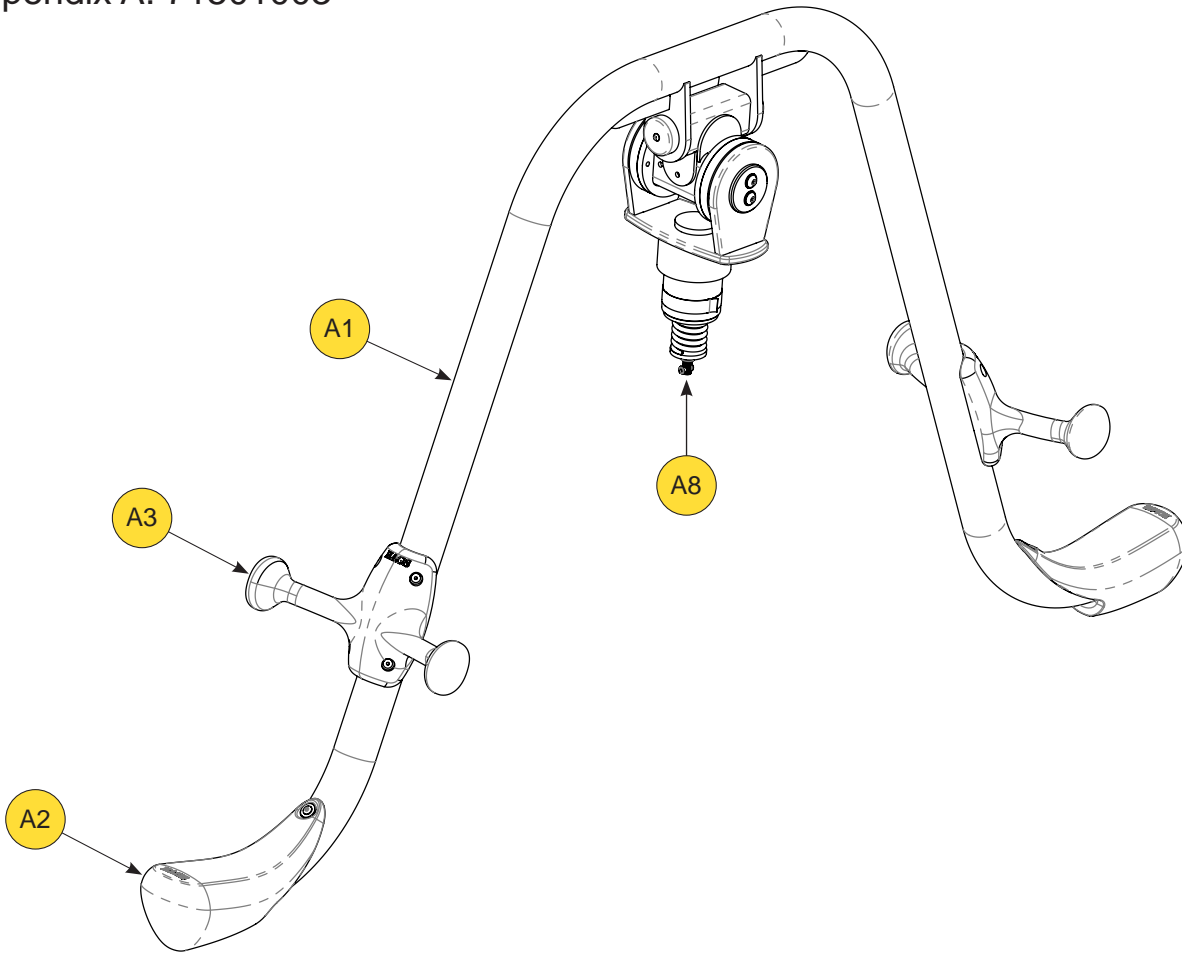
STEP 3

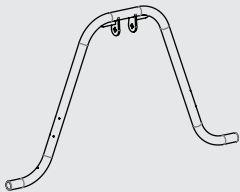
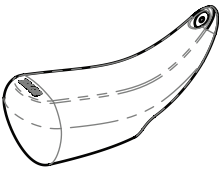


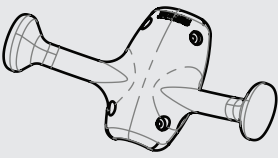



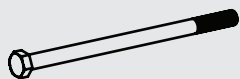


STEP 5


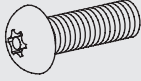
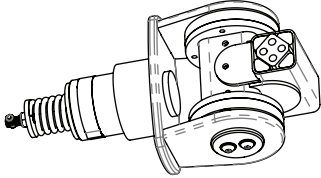



Appendix A: 71501003

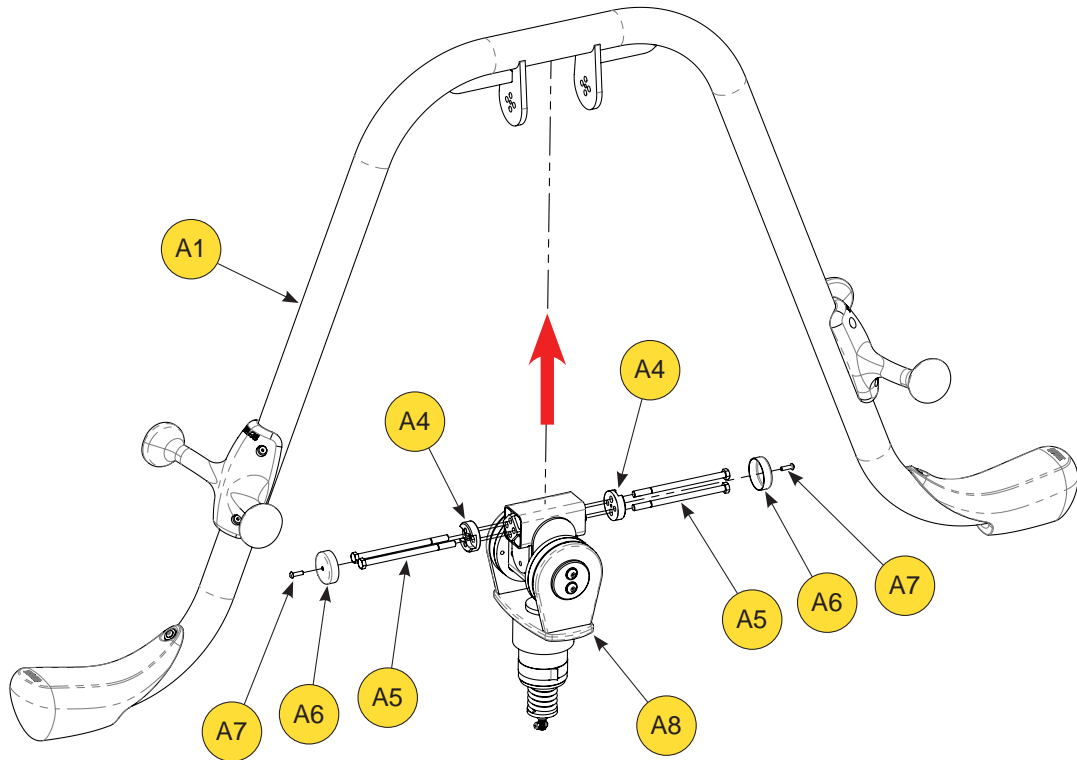


ITEM	REF	PART	QTY	Kg
A1	71503014		1	24.00
A2	71504022	   13	2	0.83
A3	71504023	   14	2	1.27
A4	71504015		2	0.14
A5	10251017	 M10 x 170	4	0.1

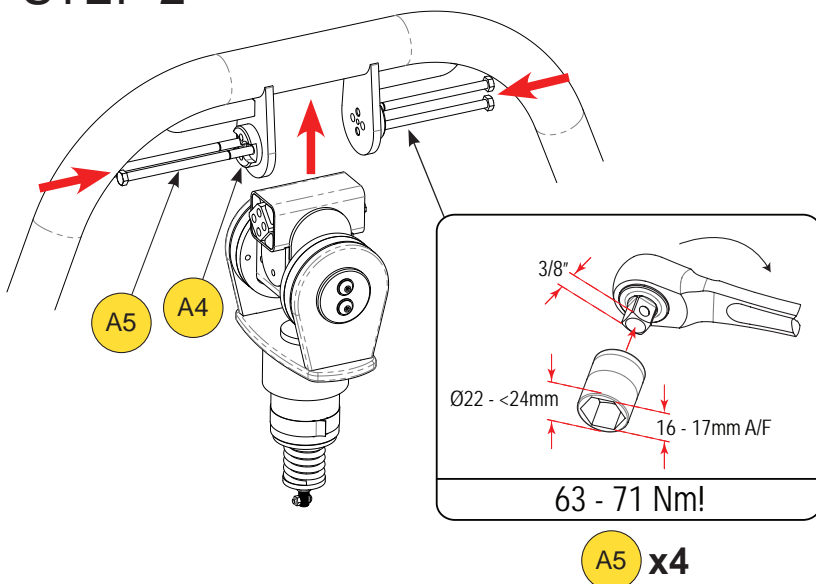
Appendix A: 71501003

ITEM	REF	PART	QTY	Kg
A6	71504016		2	0.04
A7	10120620	 M6 x 20	2	0.01
A8	71501007	  9	1	18.00

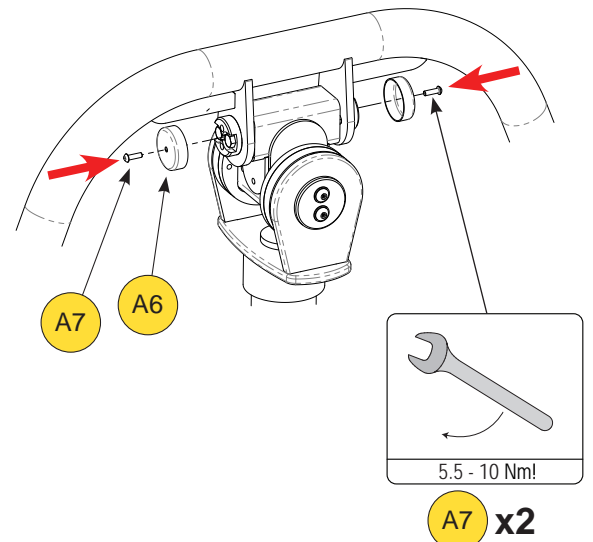
STEP 1



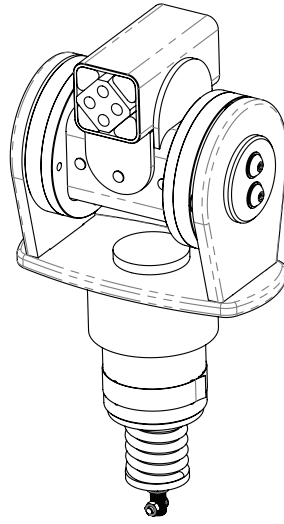
STEP 2

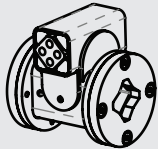
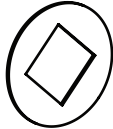
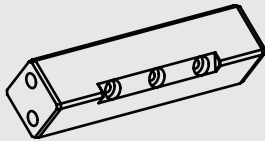



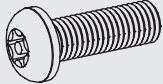
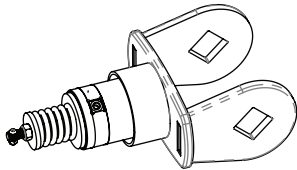




STEP 3

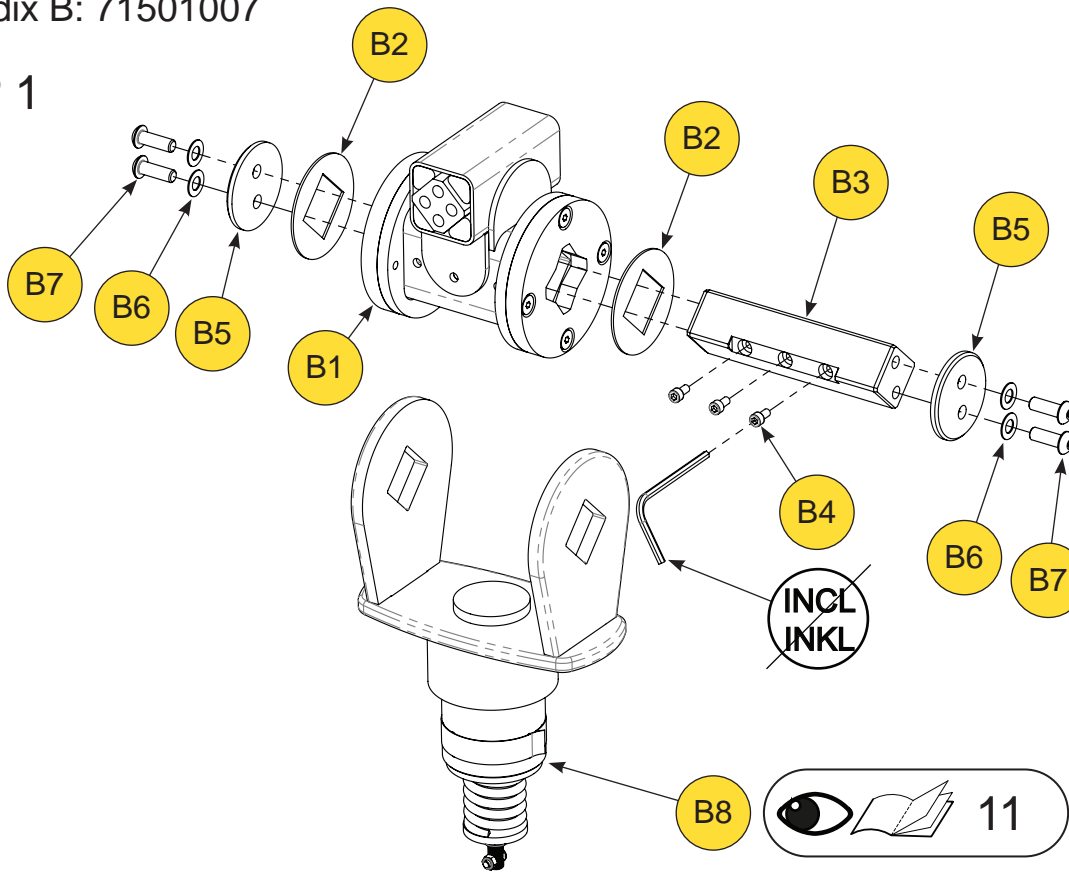


Appendix B: 71501007

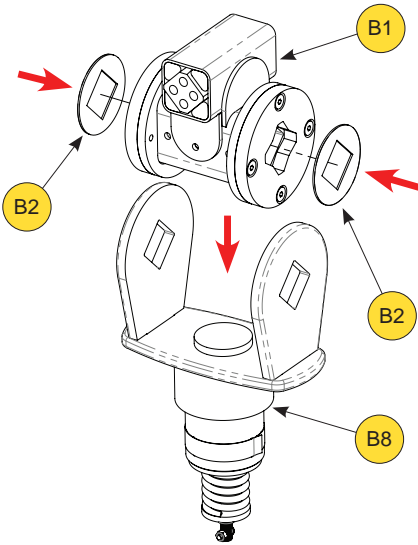


ITEM	REF	PART	QTY	Kg
B1	71504019		1	7.19
B2	502509		2	0.02
B3	71504012		1	2.08
B4	10080612	 M6 x 12	3	0.01
B5	71504013		2	0.17
B6	10291000	 M10	4	0.01
B7	10121030	 M10 x 30	4	0.03
B8	71501006	 	1	8.25
B9	71504021		3	0.01

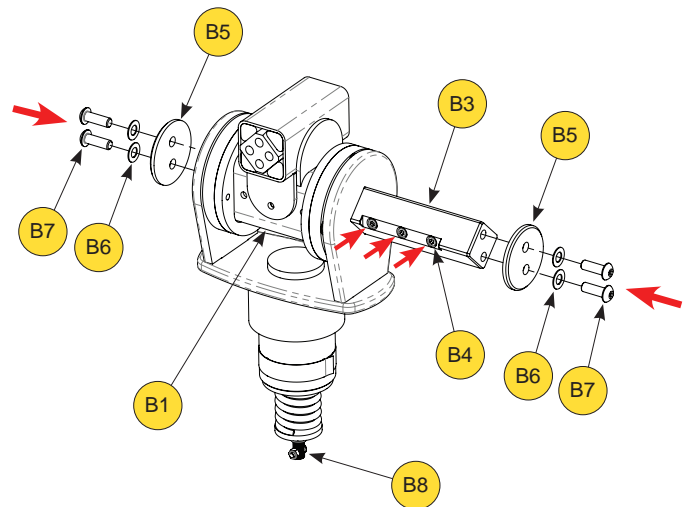
STEP 1



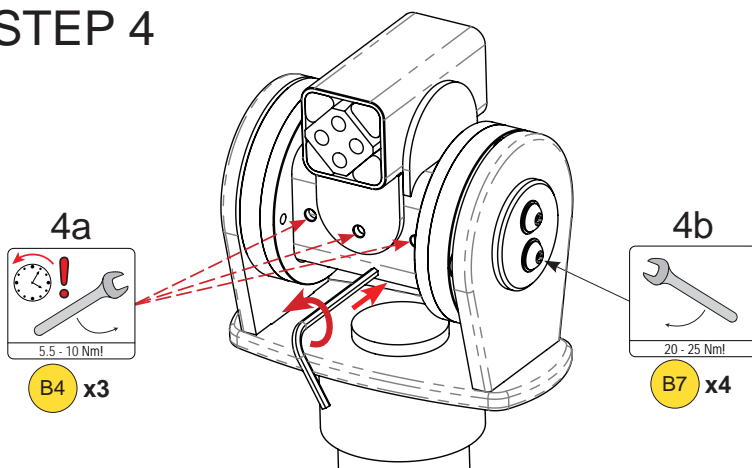
STEP 2



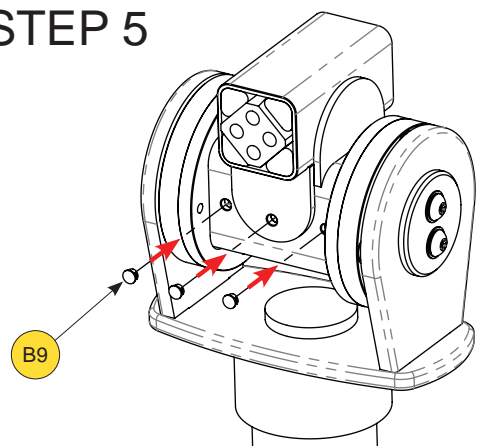
STEP 3



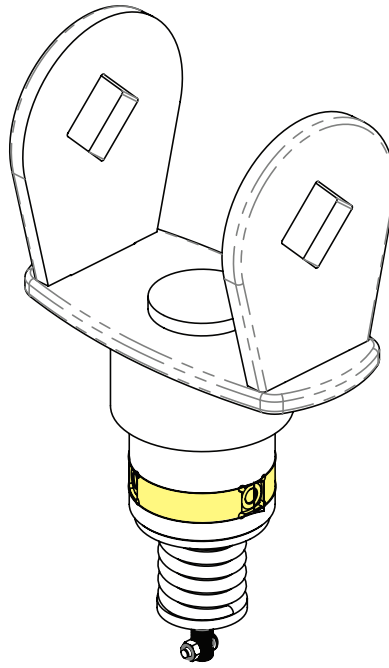
STEP 4

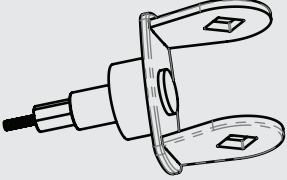
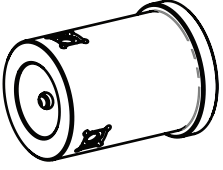




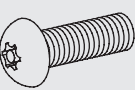
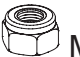


STEP 5

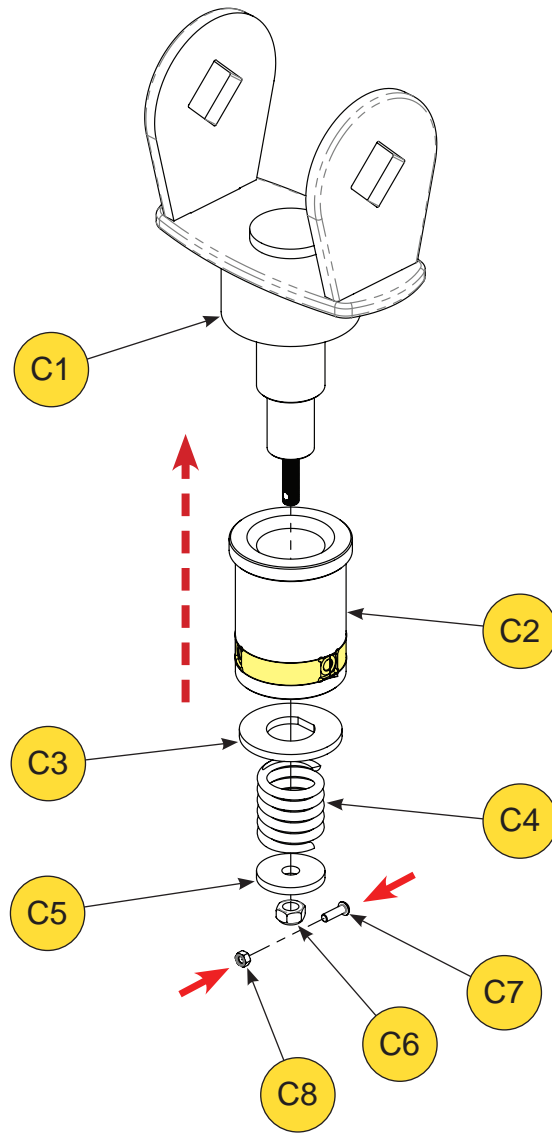


Appendix C: 71501006

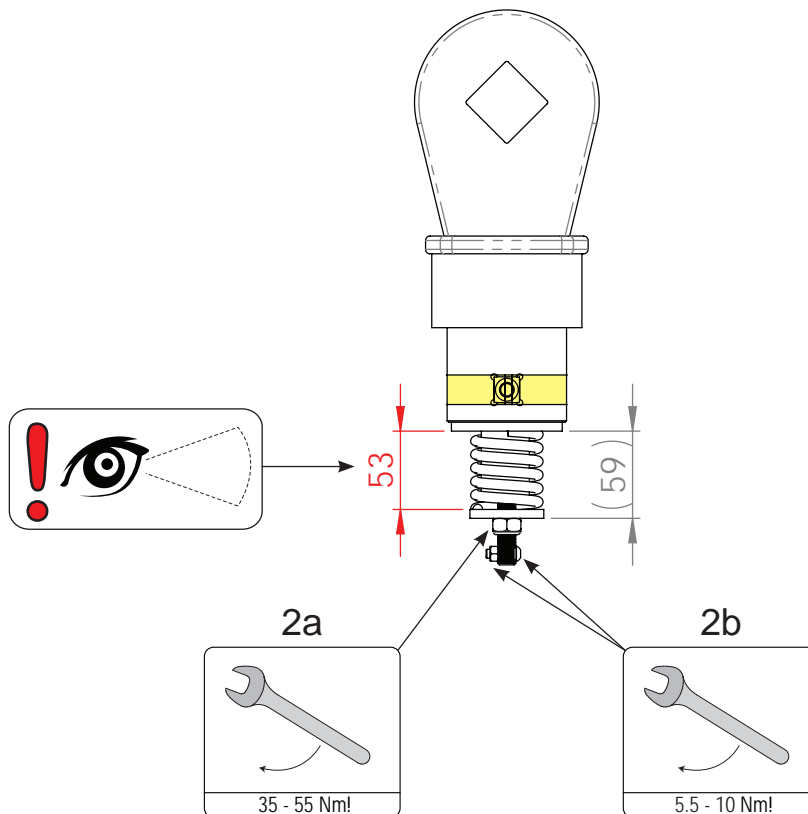


ITEM	REF	PART	QTY	Kg
C1	71503002		1	7.39
C2	71504007		1	0.52
C3	71504008		1	0.16
C4	71504020		1	0.03
C5	71504009		1	0.09
C6	10321200	 M12	1	0.01
C7	10120620	 M6 x 20	1	0.01
C8	10260600	 M6	1	0.01

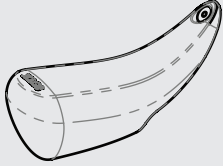

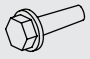
STEP 1



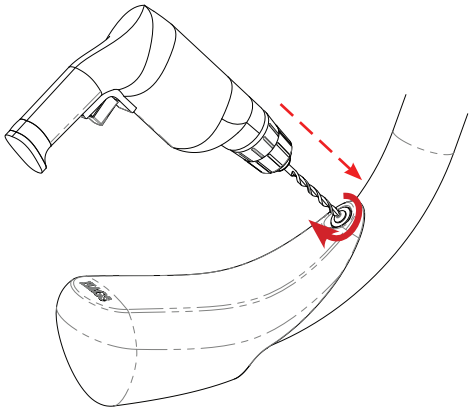
STEP 2



Appendix D: 71501010

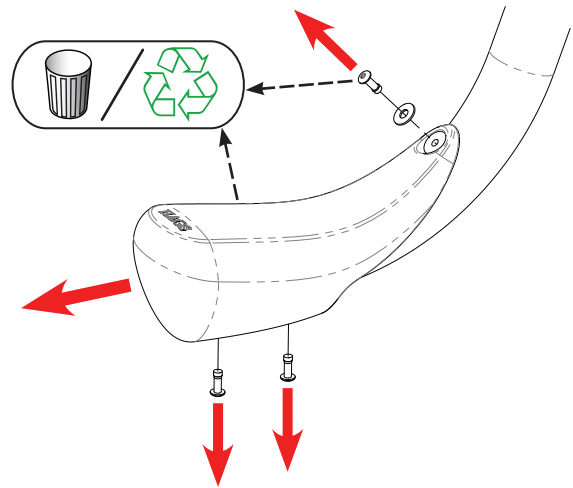
ITEM	REF	PART	CC	Kg
D1	71504022		1	0.83
D2	8008830	 M8	1	0.01
D3	8008463	 M8x25	3	0.02

STEP 1

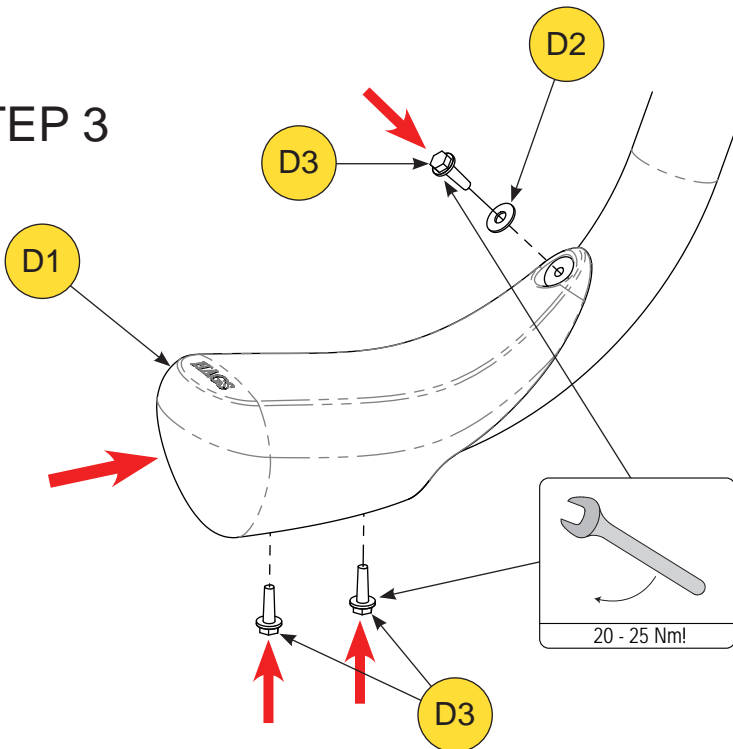


3x @ Ø7mm MAX.!

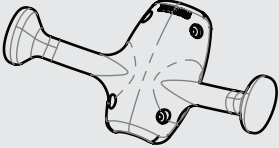
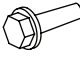
STEP 2



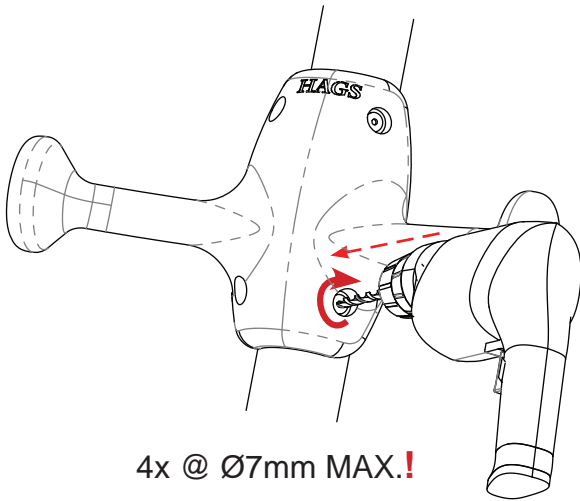
STEP 3



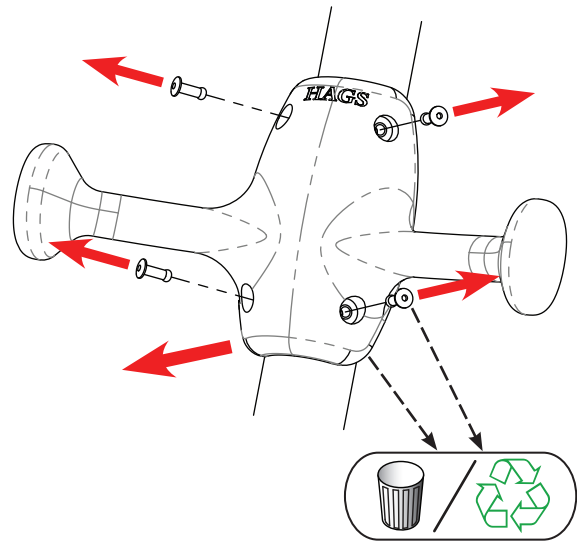
Appendix E: 71501011

ITEM	REF	PART	CC	Kg
E1	71504023		1	1.27
E2	8008463	 M8x25	4	0.02

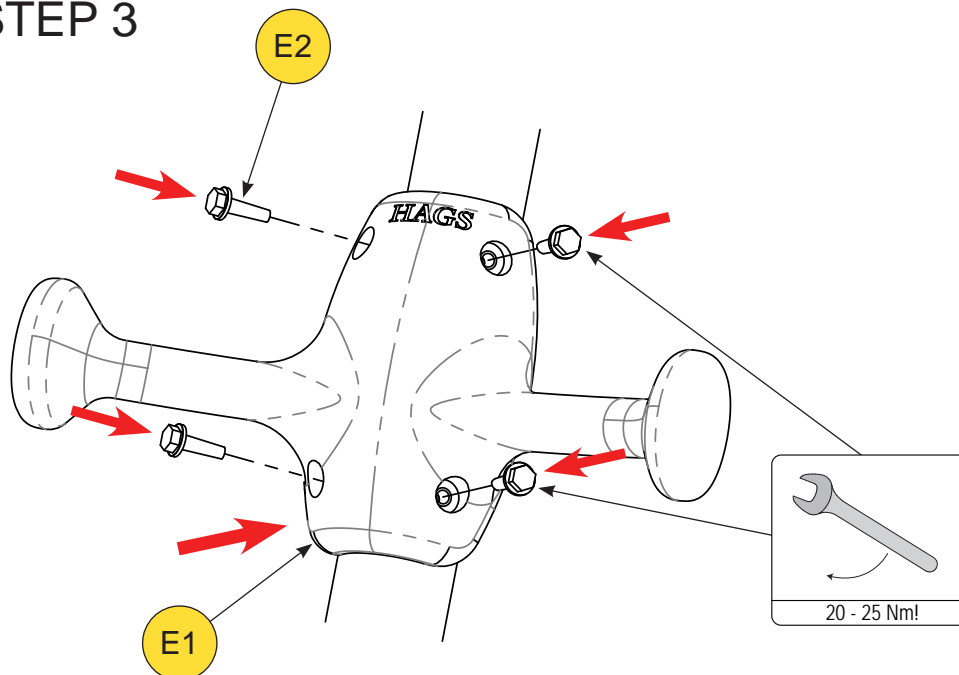
STEP 1

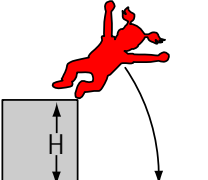


STEP 2



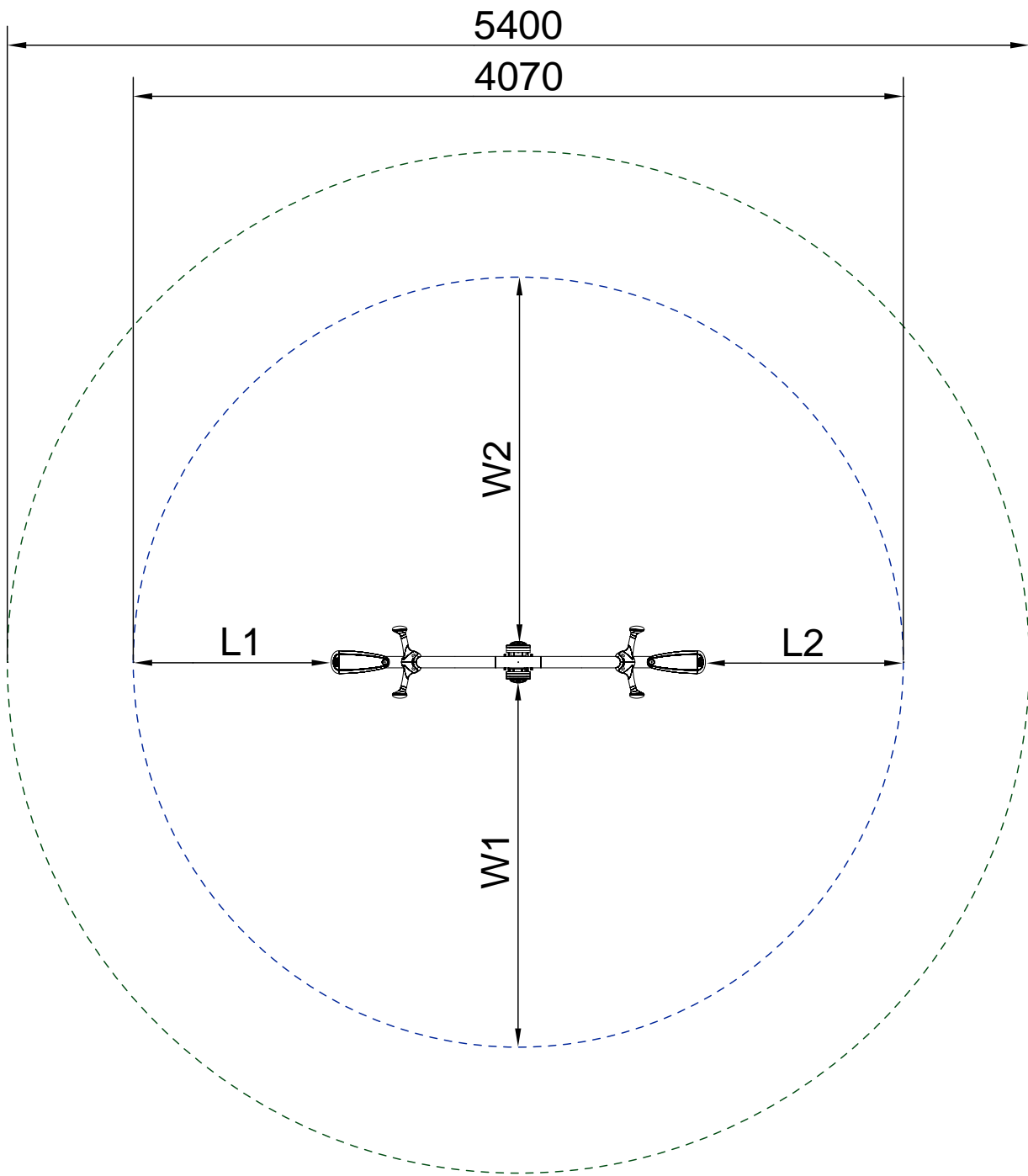
STEP 3



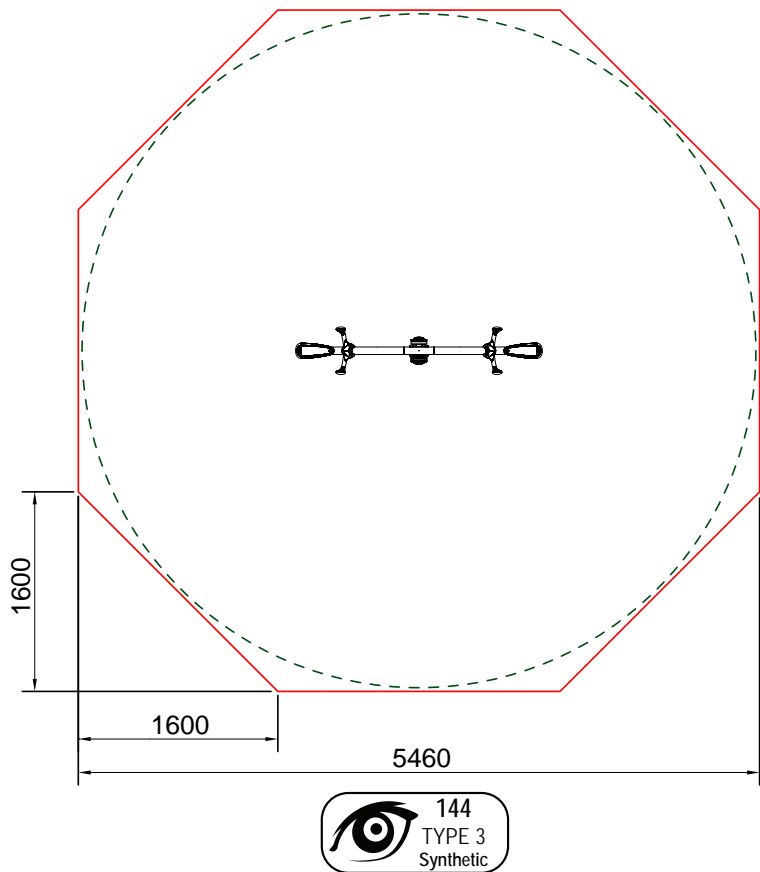
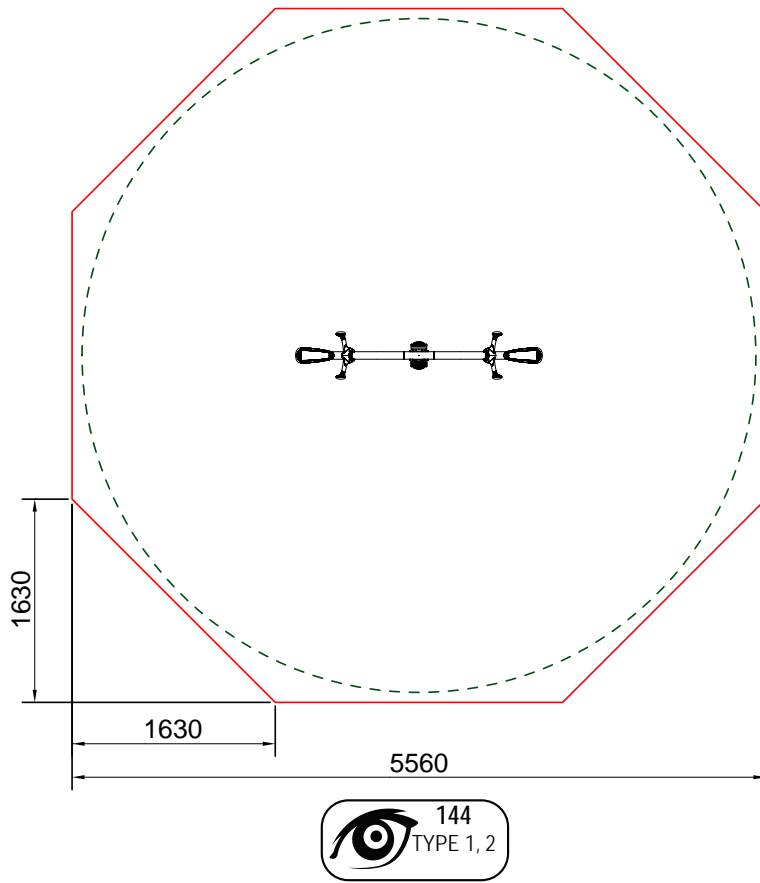


EN1176

TYPE 1 & 2 - H=0.9m
TYPE 3 & 5 - H=0.9m



L1 = L2
W1 = W2



Appendix G:

